


40x40x20 mm

6.3~10.8 CFM

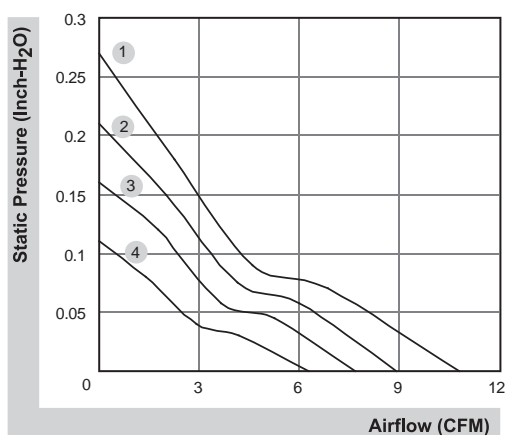


■ Specifications

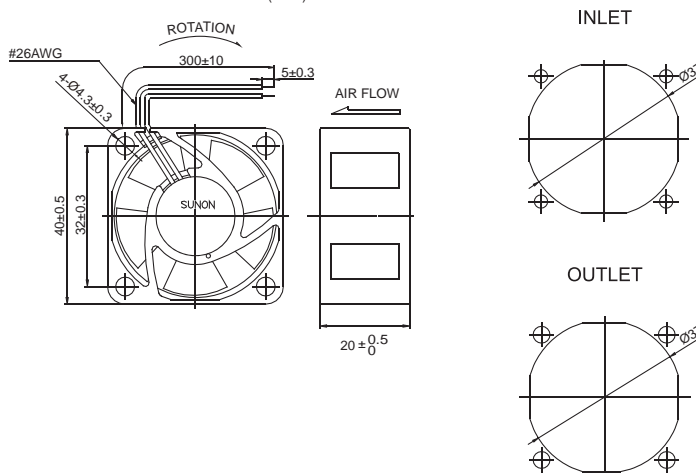
	Bearing	Rating Voltage	Power Current	Power Consumption	Speed	Air Flow	Static Pressure	Noise	Weight	Curve
	● VAPO	(VDC)	(mA)	(WATTS)	(RPM)	(CFM)	(Inch-H ₂ O)	(dB(A))	(g)	
MB40200V1-000U-A99	●	5	190	0.95	7200	8.9	0.21	25.5	30.0	2
MB40200V2-000U-A99	●	5	123	0.62	6200	7.7	0.16	21.0	30.0	3
MB40200V3-000U-A99	●	5	81	0.41	5200	6.3	0.11	18.0	30.0	4
MB40201VX-000U-A99	●	12	115	1.38	8200	10.8	0.27	27.5	31.0	1
MB40201V1-000U-A99	●	12	70	0.84	7200	8.9	0.21	25.5	31.0	2
MB40201V2-000U-A99	●	12	50	0.60	6200	7.7	0.16	21.0	31.0	3
MB40201V3-000U-A99	●	12	40	0.48	5200	6.3	0.11	18.0	31.0	4
MB40202VX-000U-A99	●	24	64	1.54	8200	10.8	0.27	27.5	31.0	1
MB40202V1-000U-A99	●	24	50	1.20	7200	8.9	0.21	25.5	31.0	2
MB40202V2-000U-A99	●	24	33	0.80	6200	7.7	0.16	21.0	31.0	3

Model	Bearing	Rating Voltage	Power Current	Power Consumption	Speed	Air Flow	Static Pressure	Noise	Weight	Curve
	○ 2BALL Sleeve	(VDC)	(mA)	(WATTS)	(RPM)	(CFM)	(Inch-H ₂ O)	(dB(A))	(g)	
EB40200S1-000U-999	○	5	218	1.09	7200	8.9	0.21	25.5	30.0	2
EB40200S2-000U-999	○	5	140	0.70	6200	7.7	0.16	21.0	30.0	3
EB40200S3-000U-999	○	5	100	0.50	5200	6.3	0.11	18.0	30.0	4
EB40201SX-000U-999	○	12	120	1.44	8200	10.8	0.27	27.5	31.0	1
EB40201S1-000U-999	○	12	90	1.08	7200	8.9	0.21	25.5	31.0	2
EB40201S2-000U-999	○	12	63	0.76	6200	7.7	0.16	21.0	31.0	3
EB40201S3-000U-999	○	12	45	0.54	5200	6.3	0.11	18.0	31.0	4
EB40202S1-000U-999	○	24	54	1.30	7200	8.9	0.21	25.5	31.0	2
EB40202S2-000U-999	○	24	33	0.80	6200	7.7	0.16	21.0	31.0	3

■ Air Flow-Static Pressure Characteristics



■ External dimensions(mm)



*All model could be customized. Please contact with Sunon Sales.

*Specifications are subject to change without notice. Please Visit SUNON website at <http://www.sunon.com> for update information.

Mouser Electronics

Authorized Distributor

Click to View Pricing, Inventory, Delivery & Lifecycle Information:

Sunon:

[MB40200V3-000U-A99](#) [MB40201V1-000U-A99](#) [EB40201S1-000U-999](#) [EB40200S2-000U-999](#) [MB40202V1-000U-A99](#) [MB40201V3-000U-A99](#) [EB40201SX-000U-999](#) [EB40202S2-000U-999](#) [EB40200S1-000U-999](#) [EB40201S3-000U-999](#) [EB40200S3-000U-999](#) [EB40202S1-000U-999](#) [MB40201VX-000U-G99](#)