

*Maxair*TM

SPECIFICATIONS

FOR APPROVAL

Model: 15050B2HL

AC220V/50/60Hz 0.22/0.21A

Maxair™

SPECIFICATION

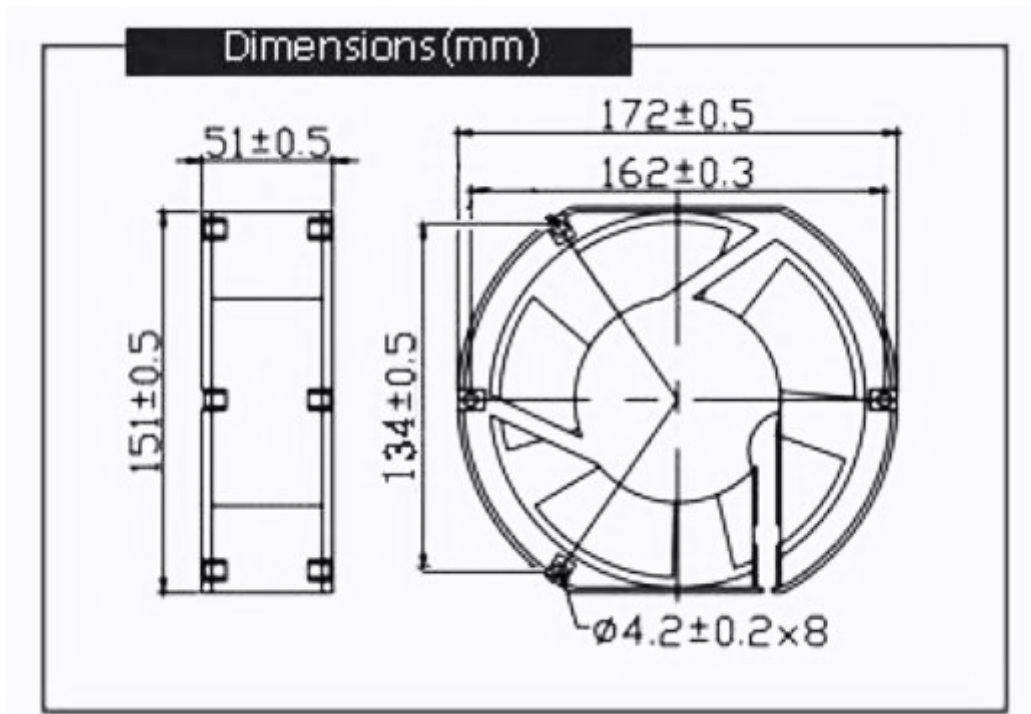
<u>Item</u>	<u>Specification/Condition</u>
Dimension	: 172x150x51 mm
Bearing System	: BALL BEARING
Rated Voltage	: 220 VAC
Operating Voltage	: 220 VAC—240 VAC
Start-up Voltage	: 160 VAC NORMALLY
Rated Current	: 0.22/0.21 Amp NORMALLY
Rated Power	: 34/33 Watt NORMALLY
Rated Speed	: 2700/3100 RPM±10%
Air Flow	: 5.37/6.65m ³ /min (190/235 CFM)
Static Air Pressure	: 16.00/17.78mmH ₂ O
Noise Level	: 45/50dBA
Motor Protection Type	: BY IMPEDANCE
Life Expectance	: 50000 Hours at Room Temperature
Operation Temperature	: -30°C to +75°C
Net Weight	: 908 Grams

Maxair™

MATERIAL

1. Impeller : Thermoplastic PBT of UL 94V-0
2. Bobbin : Thermoplastic PA66 of UL 94V-0
3. Lead Wire : UL 1015 AWG#20

DIMENSIONS: MM



Maxair™

Performance Curve

