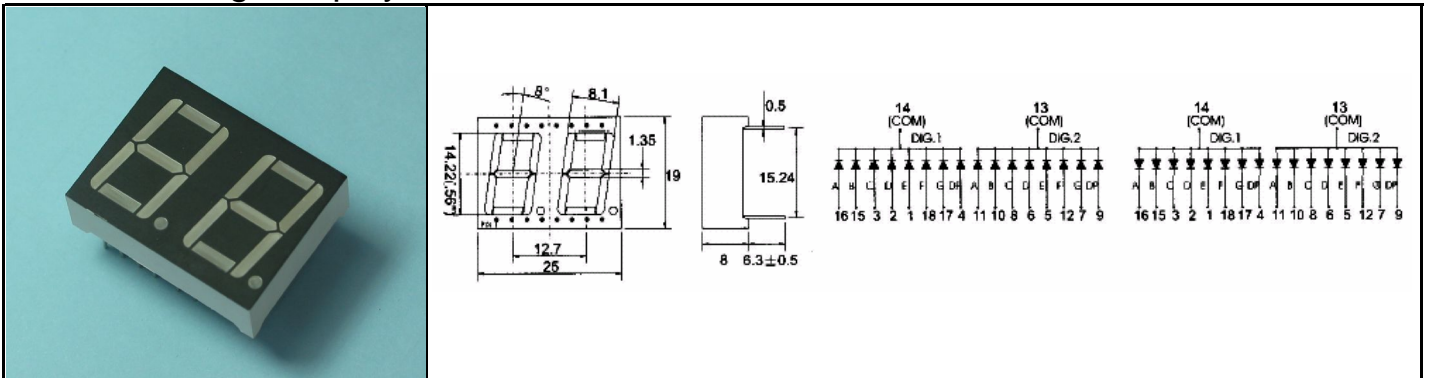


YETDA DUAL DIGIT DISPLAY

Part Number	Chip			Face Color	Segment Color	VF (V)		Iv (mcd)		C.C. Or C.A.
	Material	Emitter Color	λ_D (nm)			at IF=20mA		at IF=20mA		
						Typ.	Max.	Min.	Typ.	

0.56" Dual Digit Display

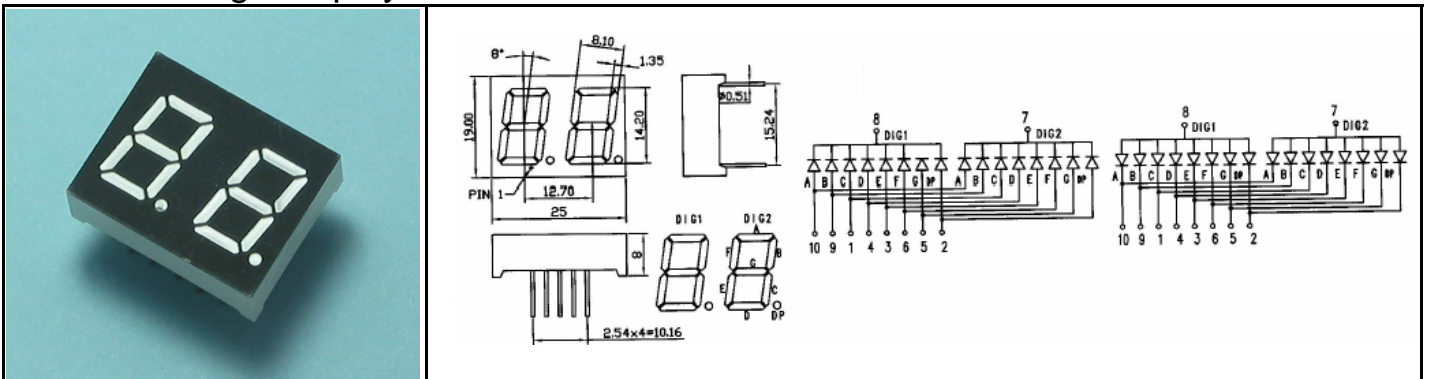
UNIT:mm/inch



D-5621BSK11	AlGaAs/GaAs	Red	660	Black	White	1.8	2.2	4	12	CC
D-5621BE11	GaAsP/GaP	Orange	622			2.1	2.6	6	10	
D-5621BGU11	GaP	Yellow Green	573			2.2	2.6	6	9	
D-5621BY11	GaAsP/GaP	Yellow	590			2.1	2.6	6	12	
D-5621BW11	InGaN	White	X:0.29 Y:0.30			3.2	3.8	60	75	
D-5621BPG11	InGaN	Pure Green	525			3.2	3.8	150	180	
D-5622BUF21	AlGaInP	Red	625	Gray	White	2.0	2.4	50	60	CA
D-5622BE21	GaAsP/GaP	Orange	622			2.1	2.6	6	10	
D-5622BGF21	AlGaInP	Yellow Green	573			2.0	2.4	39	46	
D-5622BYF21	AlGaInP	Yellow	590			2.0	2.4	20	30	
D-5622BB21	InGaN	Blue	470			3.2	3.8	35	45	
D-5622BW21	InGaN	White	X:0.29 Y:0.30			3.2	3.8	60	75	

0.56" Dual Digit Display

UNIT:mm/inch



D-5625ASK11	AlGaAs/GaAs	Red	660	Black	White	1.8	2.2	4	12	CC
D-5625AE11	GaAsP/GaP	Orange	622			2.1	2.6	6	10	
D-5625AGU11	GaP	Yellow Green	573			2.2	2.6	6	9	
D-5625AY11	GaAsP/GaP	Yellow	590			2.1	2.6	6	12	
D-5625AB11	InGaN	Blue	470			3.2	3.8	35	45	
D-5625APG11	InGaN	Pure Green	525			3.2	3.8	150	180	
D-5626ASK10	AlGaAs/GaAs	Red	660	Black	Clear	1.8	2.2	6	18	CA
D-5626AE10	GaAsP/GaP	Orange	622			2.1	2.6	9	15	
D-5626AGU10	GaP	Yellow Green	573			2.2	2.6	9	14	
D-5626AYF10	AlGaInP	Yellow	590			2.0	2.4	30	45	
D-5626AB10	InGaN	Blue	470			3.2	3.8	50	65	
D-5626AGF10	AlGaInP	Yellow Green	573			2.0	2.4	38	45	