

ASK TRANSMITTER MODULE

RFM85W-433D

General Introduction

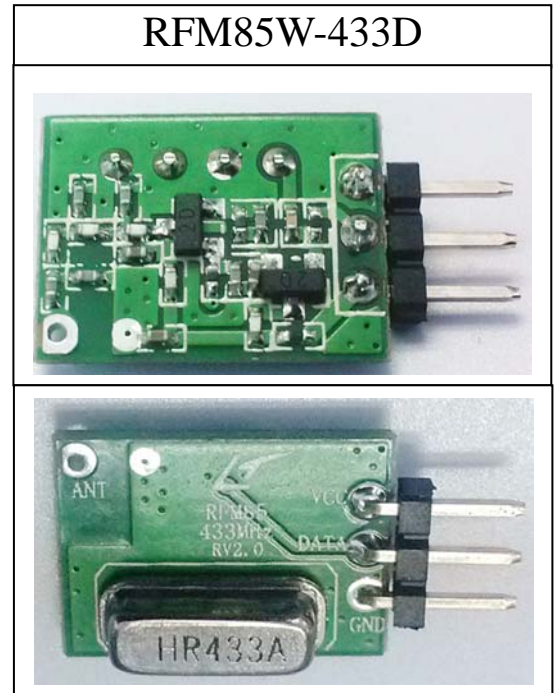
The RFM85W-433D is an ASK transmitter module .The result is excellent performance in a simple-to-use .The RFM85W-433D is designed specifically for remote-control , wireless mouse and car alarm system operating at 433.92 MHz in the USA under FCC Part 15 regulation.

Features:

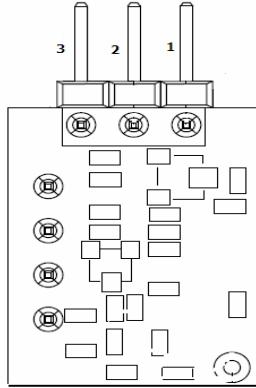
- Ideal for 433.92 MHz Remote Keyless-Entry Transmitter.
- SAW RESONATOR
- ASK Design
- 2.2V~5.5V POWER SUPPLY
- LOW POWER CONSUMPTION

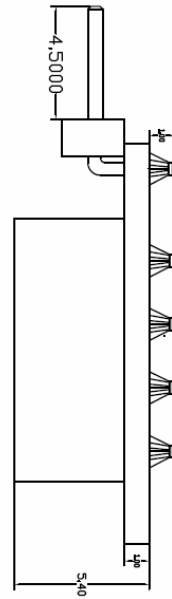
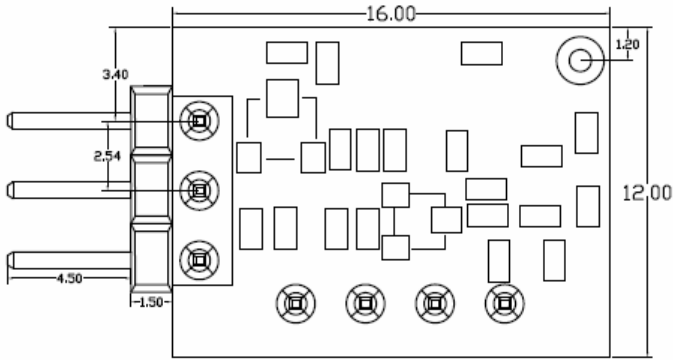
Typical Application:

- Remote control
- Remote sensor
- Wireless data collection
- Home security system
- car alarm system
- Toys
- Tire pressure monitoring system



Pin Definition:

PIN	Connections	
1	VCC	
2	DATA	
3	GND	



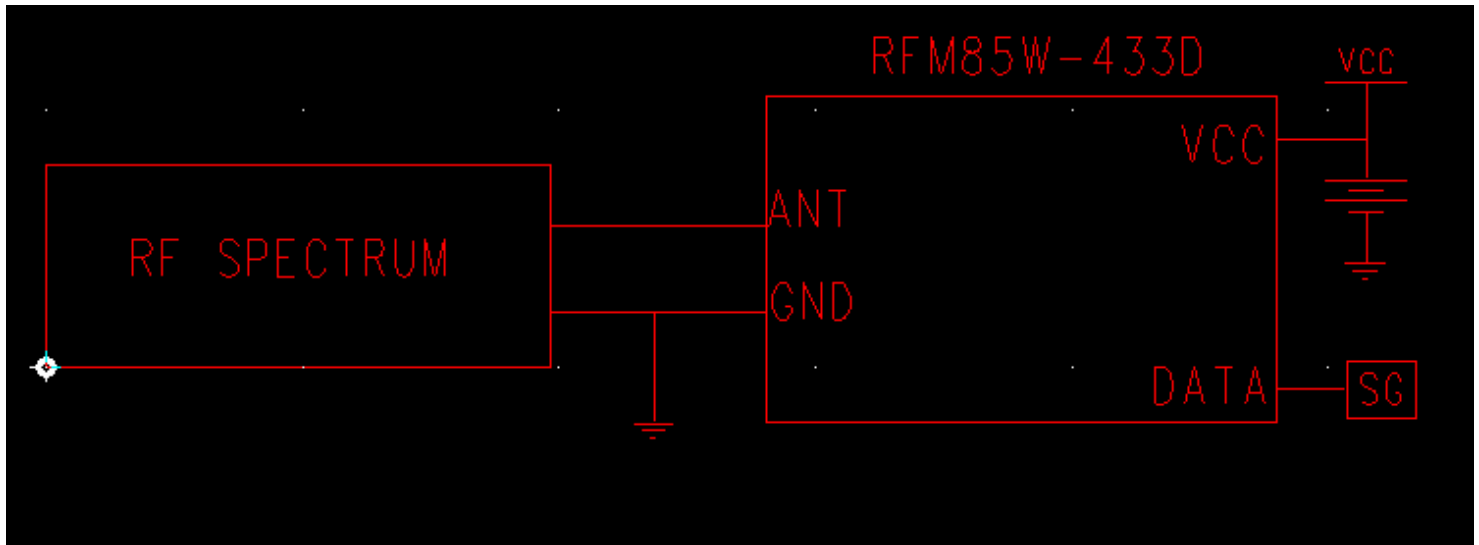
Absolute Maximum Ratings:

Parameter	Value	Units
Power Supply and/or Modulation Input Voltage	2.2 ~ 5.5	V
Operating temperature	-40 to +80	°C

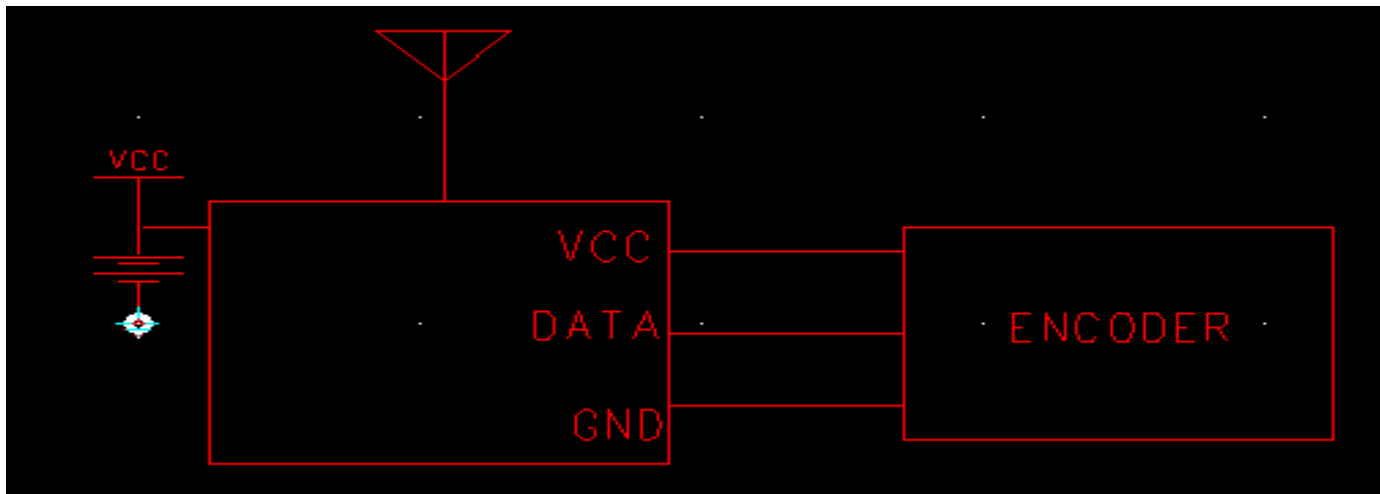
Transmitter Characteristics:

Parameter	Symbol	Condition	Condition			Unit
			min.	typ.	max.	
Output power		V _{cc} =3.0V, TA=25°C, 50Ω load		11		dBm
		V _{cc} =5.0V, TA=25°C, 50Ω load		15		
Supply current	I _{cc}	V _{cc} =3V		24		mA
		V _{cc} =5V		40		
Supply voltage Range	V _{cc}		2.2	3	5.5	V
Data Rate			300		10K	bps

Typing Test Circuit



Typical transmitter Application



HOPE MICROELECTRONICS CO.,LTD
 Add: 2/F, Building 3, Pingshan Private Enterprise Science and Technology Park, Lishan Road, XiLi Town, Nanshan District, Shenzhen, Guangdong, China
 Tel: 86-755-82973805
 Fax: 86-755-82973550
 Email: sales@hoperf.com
 Website: <http://www.hoperf.com>
<http://www.hoperf.cn>

This document may contain preliminary information and is subject to change by Hope Microelectronics without notice. Hope Microelectronics assumes no responsibility or liability for any use of the information contained herein. Nothing in this document shall operate as an express or implied license or indemnity under the intellectual property rights of Hope Microelectronics or third parties. The products described in this document are not intended for use in implantation or other direct life support applications where malfunction may result in the direct physical harm or injury to persons. NO WARRANTIES OF ANY KIND, INCLUDING, BUT NOT LIMITED TO, THE IMPLIED WARRANTIES OF MECHANABILITY OR FITNESS FOR A PARTICULAR PURPOSE, ARE OFFERED IN THIS DOCUMENT.

©2006, HOPE MICROELECTRONICS CO.,LTD. All rights reserved.